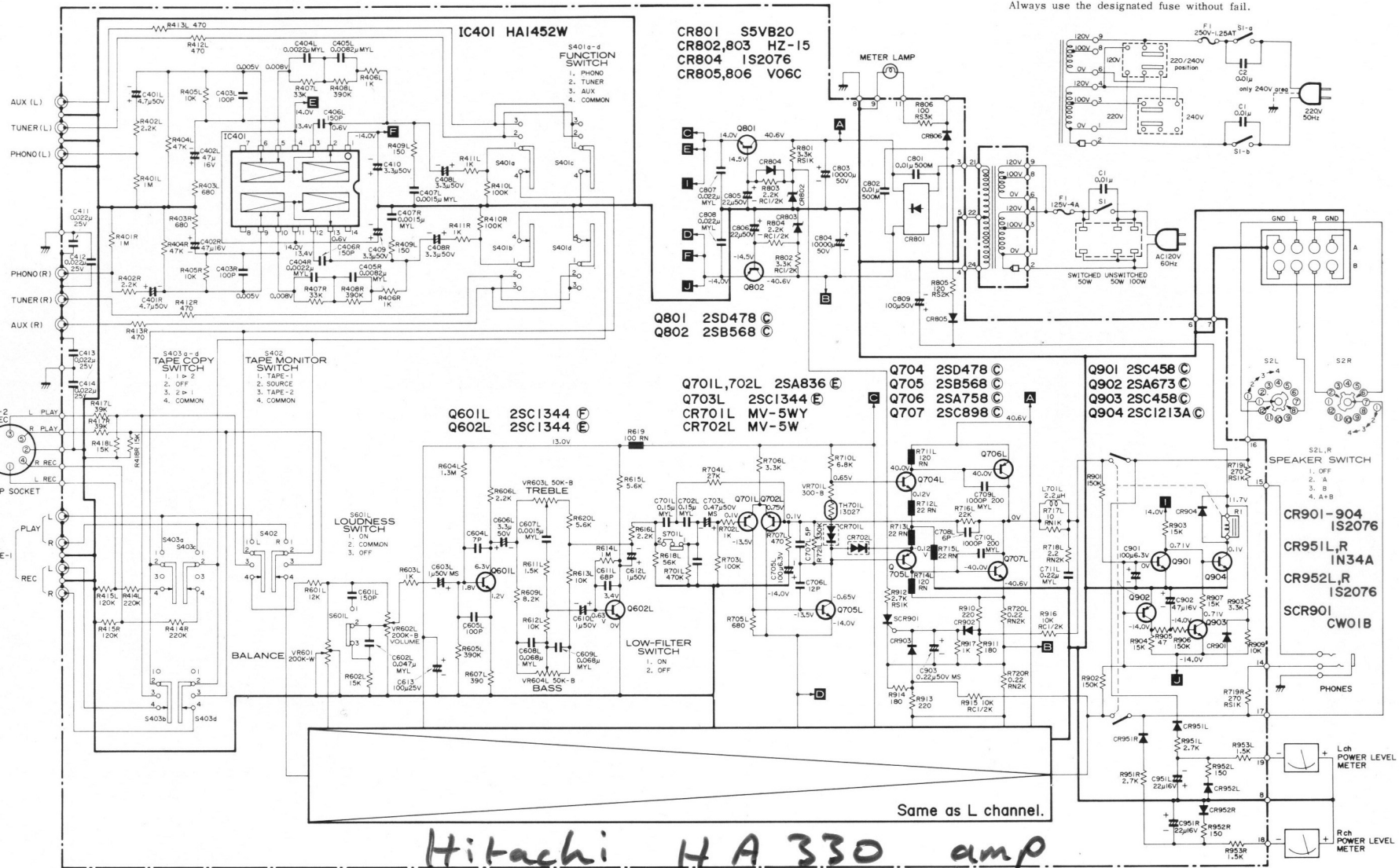


# CIRCUIT DIAGRAM



Q706 and Q707 are used as a C or B grade pair.  
When the transistor is the C grade, MV-5W is used for CR702;  
when it is B, MV-5T is used.

**CAUTION**  
Fuse resistors are used to improve safety (to protect the circuit).  
When replacing them with new ones, be sure to use the designated  
type.  
Always use the designated fuse without fail.

The circuit diagram is subject to change for improvement without notice.